



Don't Buy A Transformer  
Until You Call FARGO!  
www.FargoElectric.com  
email: Sales@FargoElectric.com  
tel: (716) 741-0035  
fax: (716) 741-3033  
Fargo Electric Inc.  
10205 Lapp Road  
Clarence Center, NY 14032

## TRANSFORMER SPECIFICATION

- 3 Phase Drive Isolation
- Dry Type
- ANN Self Cooled
- Suitable for Nonsinusoidal Current Load with a K-Factor not to exceed 4

Purchaser: TBA  
PO#: TBA  
SWO#: TBA  
Qty: TBA

Coils: Aluminum  
Cat. No.: DA118X-M/FE  
RPN#: DA118HCB-M/X/FE

kVA: 118  
Primary: 480/240/208 Delta Volts  
Secondary: 208 Y/120 Volts  
Secondary Taps: 5 %  
-Taps FCAN 1  
-Taps FCBN 1

Frequency: 60 Hz

BIL: 10 kV  
Insulation Class: 220 °C  
Temperature Rise: 150 °C  
Impedance: 3.0 - 4.0 %

Weight: 935 Lbs

Termination	Location	Lug Size
Primary:	Front	600MCM-2
Secondary:	Front	600MCM-2

### Wiring Connection:

#### Primary:

Voltage	Jumpers To:	Connect Lines To:
480	1-1-1	H1-H2-H3
240	2-2-2	H1-H2-H3
208	3-3-3	H1-H2-H3

#### Secondary:

Voltage	% Tap	Connect Loads To:
218Y/126	105.0	X0-X7-X8-X9
208Y/120	100.0	X0-X4-X5-X6
197Y/114	95.0	X0-X1-X2-X3

**Note:** Secondary is fully rated - only one can be used at a time

## Preliminary Drawing ONLY

This drawing may NOT truly reflect our final design. Any resulting order(s) must be accompanied by or refer to this drawing and be marked with any proposed changes

### Standards:

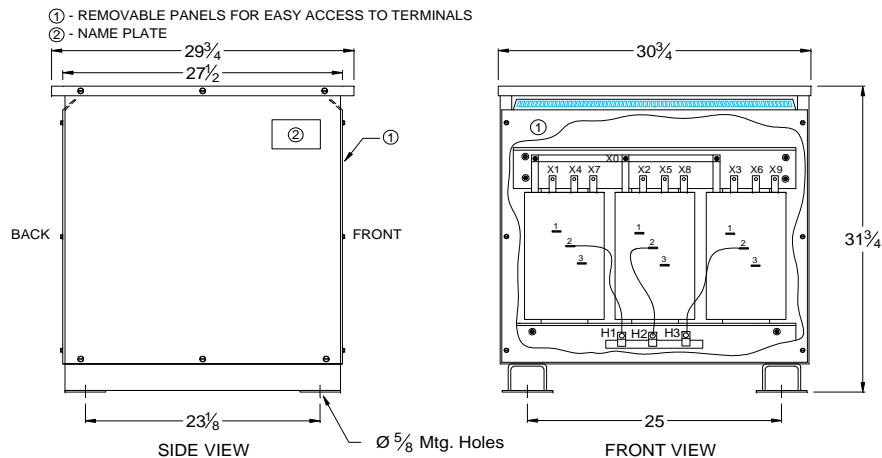
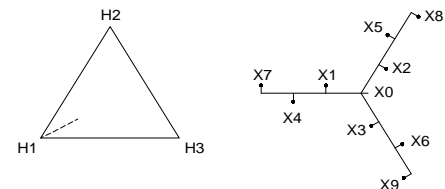
1. CSA Certified
  - File No. LR34493
2. UL Listed
  - File No. E108255

### Standard Features:

1. Anti-vibration pads installed between the enclosure base and the core & coil assembly
2. Lug for Earth grounding provided
3. Neutral rated 200% of the line terminals
4. NC 200°C thermostat installed at the centre coil

### Special Features:

± 5% F.C. Secondary taps



### CSA Enclosure:

1. Type 3R (NEMA 3R)
  - Sprinklerproof when the angle between sprinkler heads and opening in the enclosure does not exceed 45 degree from the vertical.
2. Ventilated
3. ASA 61 grey
4. Floor mounting

Rev.	Remarks	By	Appr. By	Date

Prepared by: AP  
Approved by: VS  
Date: MAY 13, 2015