



TRANSFORMER SPECIFICATION

- 3 Phase Drive Isolation
- Dry Type
- ANN Self Cooled
- Suitable for Nonsinusoidal Current Load with a K-Factor not to exceed 4

Purchaser: TBA
 PO#: TBA
 SWO#: TBA
 Qty: TBA

Drawing for Record

This drawing is a record of our final design for the noted order number.

Coils: Aluminum
 Cat. No.: DA11X-M/FE
 RPN#: DA11HCB-M/X/FE

kVA: 11
 Primary: 480/240/208 Delta Volts
 Secondary: 208 Y/120 Volts

Secondary Taps: 5 %
 -Taps FCAN 1
 -Taps FCBN 1

Frequency: 60 Hz

BIL: 10 kV
 Insulation Class: 220 °C
 Temperature Rise: 150 °C
 Impedance: 5.0 - 6.0 %

Weight: 240 Lbs

Windings	Location	Terminations
Primary	Front	Terminal Blocks
Secondary	Front	Terminal Blocks
Ground lug @ the base of enclosure		2-14 AWG

Wiring Connection:

Primary:
 Voltage Jumpers To: Connect Lines To:
 480 1-1-1 H1-H2-H3
 240 2-2-2 H1-H2-H3
 208 3-3-3 H1-H2-H3

Secondary:
 Voltage % Tap Connect Loads To:
 218Y/126 105.0 X0-X1-X2-X3
 208Y/120 100.0 X0-X4-X5-X6
 198Y/114 95.0 X0-X7-X8-X9

Note: Secondary is fully rated - only one can be used at a time

Standards:

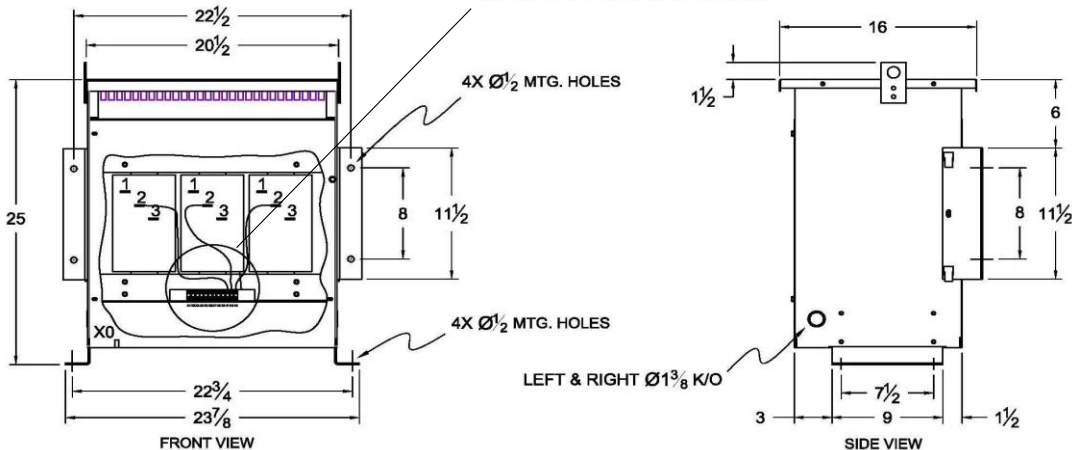
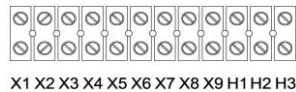
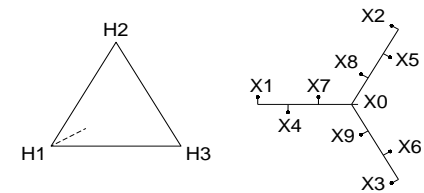
- 1)- CSA Certified File No. LR34493
- 2)- UL Listed File No. E108255

Standard Features:

- 1)- Anti-vibration pads installed between the enclosure base and the core & coil assembly
- 2)- Lug for Earth grounding provided
- 3)- Neutral rated 200% of the line terminals
- 4)- N/C 200°C thermostat installed at the centre coil
- 5)- Seismic rated for USA zone 4 and Canada zone 6

Special Features:

± 5% F.C. Secondary taps



CSA Enclosure:

- 1)- Type 3R (NEMA 3R)
 - Sprinklerproof when the angle between sprinkler heads and opening in the enclosure does not exceed 45 degree from the vertical.
- 2)- Ventilated
- 3)- ASA 61 grey
- 4)- Floor/Wall mounting

Rev.	Remarks	By	Appr. By	Date
3	Height increased	AP	VS	July 29, 2019
2	Relocated neutral terminal	AP	VS	July 10, 2017
1	Terminal Blocks HV/LV & Marking	AP	VS	June 12, 2017

Prepared by: AP
 Approved by: VS
 Date: JUNE 15, 2017