



Don't Buy A Transformer
Until You Call FARGO!
www.FargoElectric.com
email: Sales@FargoElectric.com
tel: (716) 741-0035
fax: (716) 741-3033
Fargo Electric Inc.
10205 Lapp Road
Clarence Center, NY 14032

TRANSFORMER SPECIFICATION

- 3 Phase Drive Isolation
- Dry Type
- ANN Self Cooled
- Suitable for Nonsinusoidal Current Load with a K-Factor not to exceed 4

Purchaser: TBA
PO#: TBA
SWO#: TBA
Qty: TBA

Coils: Aluminum
Cat. No.: DA145X-M/FE
RPN#: DA145HCB-M/X/FE

kVA: 145
Primary: 480/240/208 Delta Volts
Secondary: 208 Y/120 Volts
Secondary Taps: 5 %
-Taps FCAN 1
-Taps FCBN 1

Frequency: 60 Hz

BIL: 10 kV
Insulation Class: 220 °C
Temperature Rise: 150 °C
Impedance: 3.5 - 4.5 %

Weight: 1000 Lbs

Termination	Location	Terminals
Primary:	Front	Pads
Secondary:	Front	Pads

Wiring Connection:

Primary:

Voltage	Jumpers To:	Connect Lines To:
480	1-1-1	H1-H2-H3
240	2-2-2	H1-H2-H3
208	3-3-3	H1-H2-H3

Secondary:

Voltage	% Tap	Connect Loads To:
218Y/126	105.0	X0-X7-X8-X9
208Y/120	100.0	X0-X4-X5-X6
197Y/114	95.0	X0-X1-X2-X3

Note: Secondary is fully rated - only one can be used at a time

Preliminary Drawing ONLY

This drawing may NOT truly reflect our final design. Any resulting order(s) must be accompanied by or refer to this drawing and be marked with any proposed changes

Standards:

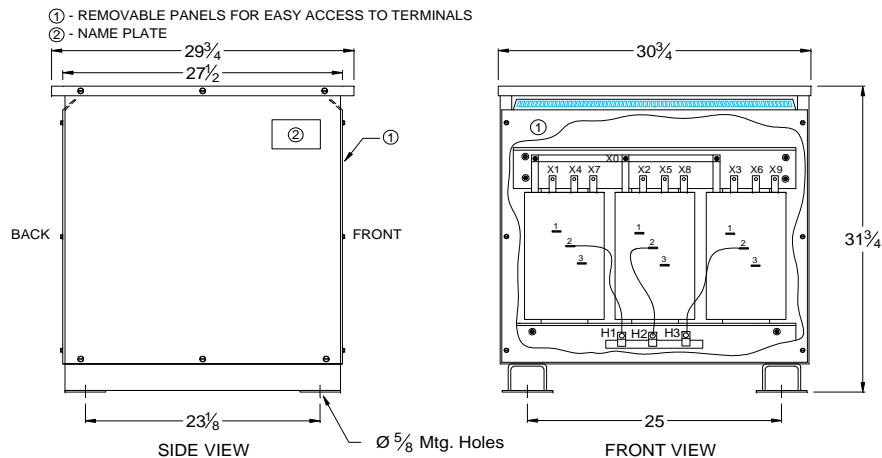
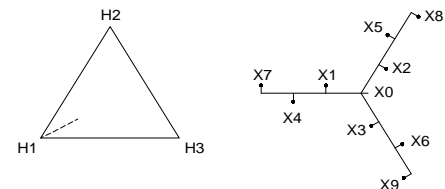
1. CSA Certified
 - File No. LR34493
2. UL Listed
 - File No. E108255

Standard Features:

1. Anti-vibration pads installed between the enclosure base and the core & coil assembly
2. Lug for Earth grounding provided
3. Neutral rated 200% of the line terminals
4. NC 200°C thermostat installed at the centre coil

Special Features:

± 5% F.C. Secondary taps



CSA Enclosure:

1. Type 3R (NEMA 3R)
 - Sprinklerproof when the angle between sprinkler heads and opening in the enclosure does not exceed 45 degree from the vertical.
2. Ventilated
3. ASA 61 grey
4. Floor mounting

Rev.	Remarks	By	Appr. By	Date

Prepared by: AP
Approved by: VS
Date: MAY 13, 2015