



## TRANSFORMER SPECIFICATION

- 3 Phase Drive Isolation
- Dry Type
- ANN Self Cooled
- Suitable for Nonsinusoidal Current Load with a K-Factor not to exceed 4

Purchaser: TBA  
 PO#: TBA  
 SWO#: TBA  
 Qty: TBA

**Preliminary Drawing ONLY**

This drawing may NOT truly reflect our final design. Any resulting order(s) must be accompanied by or refer to this drawing and be marked with any proposed changes

Coils: Aluminum  
 Cat. No.: DA20X-N1/FE  
 RPN#: DA20HCB-N1/X/FE

kVA: 20  
 Primary: 480/240/208 Delta Volts  
 Secondary: 400 Y/231 Volts

Secondary Taps: 5 %  
 -Taps FCAN 1  
 -Taps FCBN 1

Frequency: 60 Hz  
 BIL: 10 kV  
 Insulation Class: 220 °C  
 Temperature Rise: 150 °C  
 Impedance: 4.0 - 5.0 %

Weight: 290 Lbs

Windings	For Cable Size	Termination
Primary @ Front	#14 AWG up to #6 AWG	Terminal Blocks
Secondary @ Front	#14 AWG up to #6 AWG	Terminal Blocks

### Wiring Connection:

**Primary:**  
 Voltage Jumpers To: Connect Lines To:  
 480 1-1-1 H1-H2-H3  
 240 2-2-2 H1-H2-H3  
 208 3-3-3 H1-H2-H3

**Secondary:**  
 Voltage % Tap Connect Loads To:  
 420Y/242 105.0 X0-X1-X2-X3  
 400Y/231 100.0 X0-X4-X5-X6  
 380Y/220 95.0 X0-X7-X8-X9

### Standards:

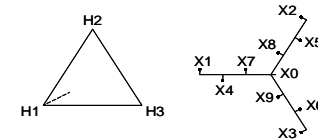
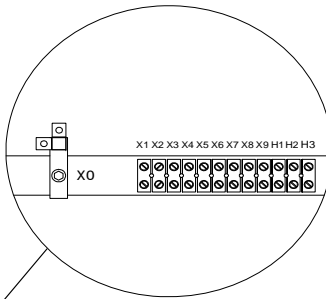
- 1)- CSA Certified File No. LR34493
- 2)- UL Listed File No. E108255

### Standard Features:

- 1)- Anti-vibration pads installed between the enclosure base and the core & coil assembly
- 2)- Lug for Earth grounding provided
- 3)- Neutral rated 200% of the line terminals
- 4)- N/C 200°C thermostat installed at the centre coil
- 5)- Seismic rated for USA zone 4 and Canada zone 6

### Special Features:

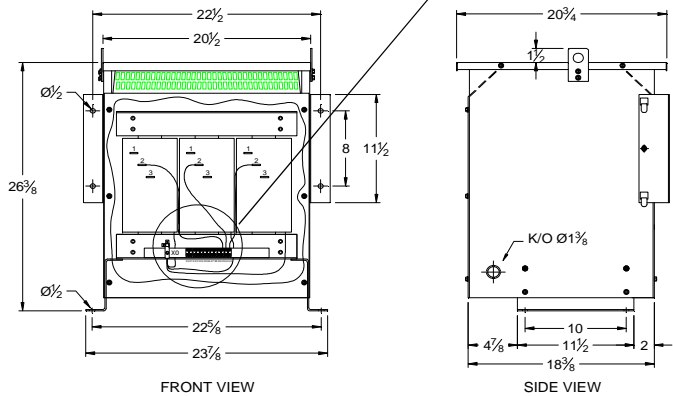
X= ± 5% F.C. Secondary taps



**Note:** Secondary is fully rated - only one can be used at a time

### CSA Enclosure:

- 1)- Type 3R (NEMA 3R)
  - Sprinklerproof when the angle between sprinkler heads and opening in the enclosure does not exceed 45 degree from the vertical.
- 2)- Ventilated
- 3)- ASA 61 grey
- 4)- Floor/Wall mounting



Rev.	Remarks	By	Appr. By	Date
1	Terminal Blocks HV/LV & Marking	AP	VS	Aug.2, 2017

Prepared by: AP  
 Approved by: VS  
 Date: MAY 13, 2015