



TRANSFORMER SPECIFICATION

- 3 Phase Drive Isolation
- Dry Type
- ANN Self Cooled
- Suitable for Nonsinusoidal Current Load with a K-Factor not to exceed 4

Purchaser: TBA
 PO#: TBA
 SWO#: TBA
 Qty: TBA

Coils: Aluminum
 Cat. No.: DA20X-P/FE
 RPN#: DA20HCB-P/X/FE

kVA: 20
 Primary: 480/240/208 Delta Volts
 Secondary: 480 Y/277 Volts

Secondary Taps: 5 %
 -Taps FCAN 1
 -Taps FCBN 1

Frequency: 60 Hz

BIL: 10 kV
 Insulation Class: 220 °C
 Temperature Rise: 150 °C
 Impedance: 4.0 - 5.0 %

Weight: 290 Lbs

Windings	For Cable Size	Termination
Primary @ Front	#14 AWG up to #6 AWG	Terminal Blocks
Secondary @ Front	#14 AWG up to #6 AWG	Terminal Blocks

Wiring Connection:

Primary:
 Voltage Jumpers To: Connect Lines To:
 480 1-1-1 H1-H2-H3
 240 2-2-2 H1-H2-H3
 208 3-3-3 H1-H2-H3

Secondary:
 Voltage % Tap Connect Loads To:
 504Y/291 105.0 X0-X1-X2-X3
 480Y/277 100.0 X0-X4-X5-X6
 456Y/263 95.0 X0-X7-X8-X9

Standards:

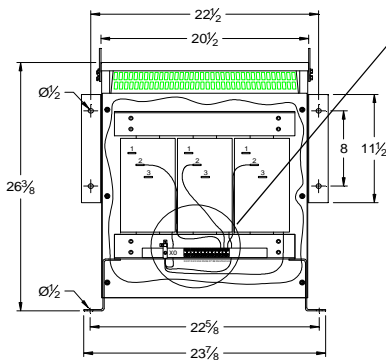
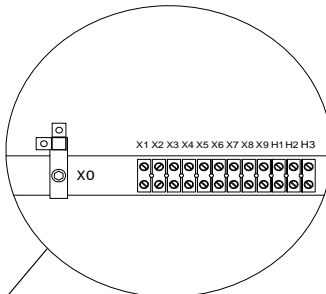
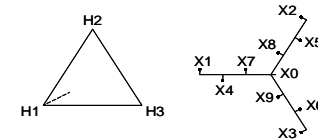
- 1)- CSA Certified File No. LR34493
- 2)- UL Listed File No. E108255

Standard Features:

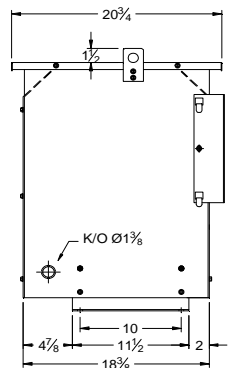
- 1)- Anti-vibration pads installed between the enclosure base and the core & coil assembly
- 2)- Lug for Earth grounding provided
- 3)- Neutral rated 200% of the line terminals
- 4)- N/C 200°C thermostat installed at the centre coil
- 5)- Seismic rated for USA zone 4 and Canada zone 6

Special Features:

X = ± 5% F.C. Secondary taps



FRONT VIEW



SIDE VIEW

Note: Secondary is fully rated - only one can be used at a time

CSA Enclosure:

- 1)- Type 3R (NEMA 3R)
 - Sprinklerproof when the angle between sprinkler heads and opening in the enclosure does not exceed 45 degree from the vertical.
- 2)- Ventilated
- 3)- ASA 61 grey
- 4)- Floor/Wall mounting

Rev.	Remarks	By	Appr. By	Date
1	Terminal Blocks HV/LV & Marking	AP	VS	Aug.2, 2017

Prepared by: AP
 Approved by: VS
 Date: MAY 13, 2015