



## TRANSFORMER SPECIFICATION

- 3 Phase Drive Isolation
- Dry Type
- ANN Self Cooled
- Suitable for Nonsinusoidal Current Load with a K-Factor not to exceed 4

### Drawing for Record

This drawing is a record of our final design for the noted order number.

Purchaser: TBA  
 PO#: TBA  
 SWO#: TBA  
 Qty: TBA

Windings	For Cable Size	Lugs Terminations
Primary @ Front	#14 AWG up to #2 AWG	2-14 AWG (1/Ph)
Secondary @ Front	#14 AWG up to #2 AWG	2-14 AWG (1/Ph)
Ground lug @ the base of enclosure		2-14 AWG

#### Wiring Connection:

##### Primary:

Voltage	Jumpers To:	Connect Lines To:
480	1-1-1	H1-H2-H3
240	2-2-2	H1-H2-H3
208	3-3-3	H1-H2-H3

##### Secondary:

Voltage	% Tap	Connect Loads To:
504Y/291	105.0	X0-X1-X2-X3
480Y/277	100.0	X0-X4-X5-X6
456Y/263	95.0	X0-X7-X8-X9

**Note:** Secondary is fully rated - only one can be used at a time

Coils: Aluminum  
 Cat. No.: DA27X-P/FE  
 RPN#: DA27HCB-P/X/FE

kVA: 27  
 Primary: 480/240/208 Delta Volts  
 Secondary: 480 Y/277 Volts

Secondary Taps: 5 %  
 -Taps FCAN 1  
 -Taps FCBN 1

Frequency: 60 Hz

BIL: 10 kV  
 Insulation Class: 220 °C  
 Temperature Rise: 150 °C  
 Impedance: 3.0 - 4.0 %

Weight: 315 Lbs

#### Standards:

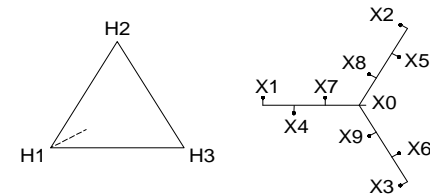
- 1)- CSA Certified File No. LR34493
- 2)- UL Listed File No. E108255

#### Standard Features:

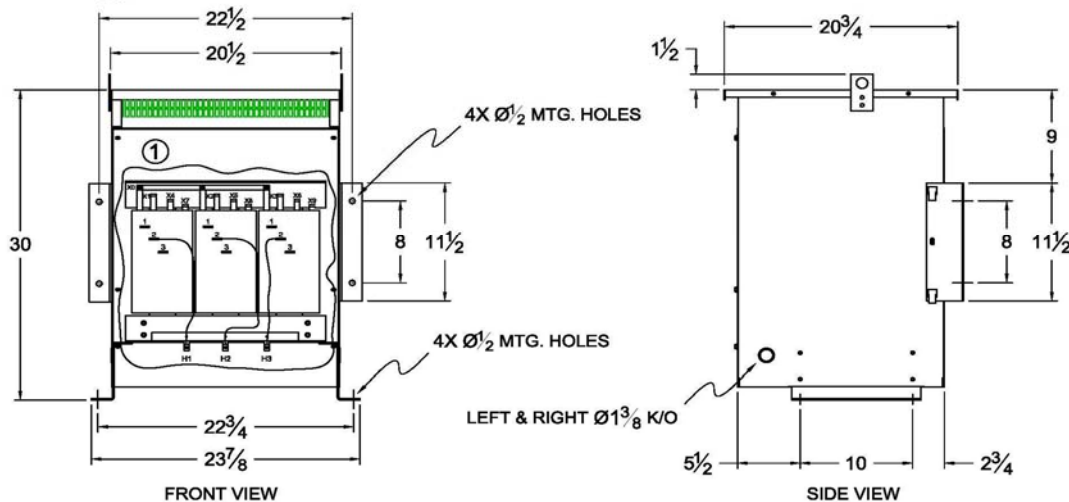
- 1)- Anti-vibration pads installed between the enclosure base and the core & coil assembly
- 2)- Lug for Earth grounding provided
- 3)- Neutral rated 200% of the line terminals
- 4)- N/C 200°C thermostat installed at the centre coil
- 5)- Seismic rated for USA zone 4 and Canada zone 6

#### Special Features:

± 5% F.C. Secondary taps



#### ① - REMOVABLE PANELS FOR EASY ACCESS TO TERMINALS



#### CSA Enclosure:

- 1)- Type 3R (NEMA 3R)
  - Sprinklerproof when the angle between sprinkler heads and opening in the enclosure does not exceed 45 degree from the vertical.
- 2)- Ventilated
- 3)- ASA 61 grey
- 4)- Floor/Wall mounting

Rev.	Remarks	By	Appr. By	Date
1	Height increased	AP	VS	July 29, 2019

Prepared by: AP  
 Approved by: VS  
 Date: APR.17, 2015