



## TRANSFORMER SPECIFICATION

- 3 Phase Drive Isolation
- Dry Type
- ANN Self Cooled
- Suitable for Nonsinusoidal Current Load with a K-Factor not to exceed 4

### Drawing for Record

This drawing is a record of our final design for the noted order number.

Purchaser: TBA  
 PO#: TBA  
 SWO#: TBA  
 Qty: TBA

| Windings                           | For Cable Size        | Lugs Terminations |
|------------------------------------|-----------------------|-------------------|
| Primary @ Front                    | #6 AWG up to #2/0 AWG | 2/0-6 AWG (1/Ph)  |
| Secondary @ Front                  | #14 AWG up to #2 AWG  | 2-14 AWG (1/Ph)   |
| Ground lug @ the base of enclosure |                       | 2-14 AWG          |

#### Wiring Connection:

##### Primary:

|         |             |                   |
|---------|-------------|-------------------|
| Voltage | Jumpers To: | Connect Lines To: |
| 480     | 1-1-1       | H1-H2-H3          |
| 240     | 2-2-2       | H1-H2-H3          |
| 208     | 3-3-3       | H1-H2-H3          |

##### Secondary:

|          |       |                   |
|----------|-------|-------------------|
| Voltage  | % Tap | Connect Loads To: |
| 420Y/242 | 105.0 | X0-X1-X2-X3       |
| 400Y/231 | 100.0 | X0-X4-X5-X6       |
| 380Y/220 | 95.0  | X0-X7-X8-X9       |

**Note:** Secondary is fully rated - only one can be used at a time

Coils: Aluminum  
 Cat. No.: DA40X-N1/FE  
 RPN#: DA40HCB-N1/X/FE

kVA: 40  
 Primary: 480/240/208 Delta Volts  
 Secondary: 400 Y/231 Volts

Secondary Taps: 5 %  
 -Taps FCAN 1  
 -Taps FCBN 1

Frequency: 60 Hz

BIL: 10 kV  
 Insulation Class: 220 °C  
 Temperature Rise: 150 °C  
 Impedance: 4.0 - 5.0 %

Weight: 345 Lbs

#### Standards:

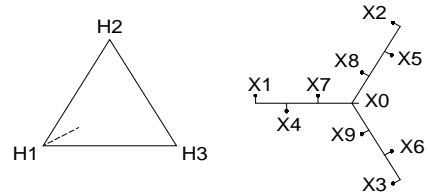
- 1)- CSA Certified File No. LR34493
- 2)- UL Listed File No. E108255

#### Standard Features:

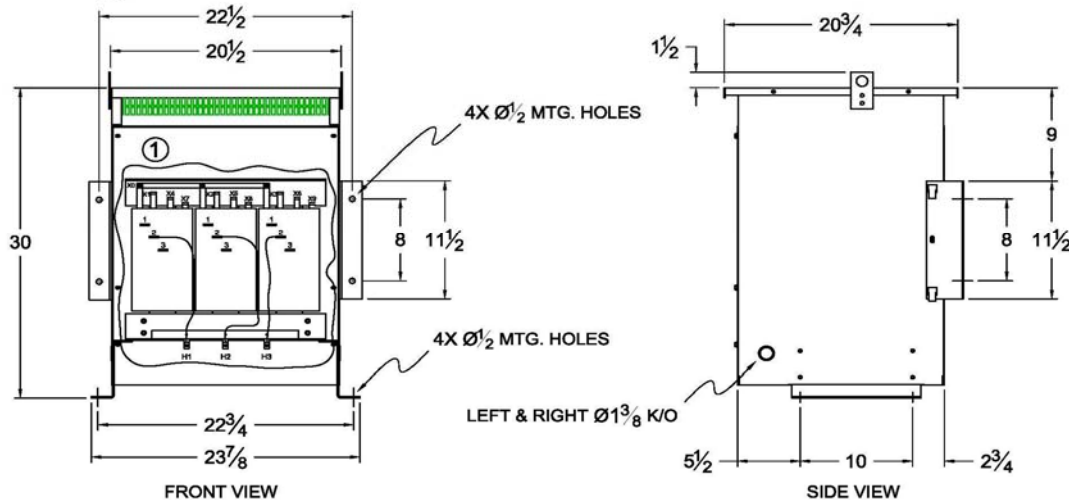
- 1)- Anti-vibration pads installed between the enclosure base and the core & coil assembly
- 2)- Lug for Earth grounding provided
- 3)- Neutral rated 200% of the line terminals
- 4)- N/C 200°C thermostat installed at the centre coil
- 5)- Seismic rated for USA zone 4 and Canada zone 6

#### Special Features:

± 5% F.C. Secondary taps



#### ① - REMOVABLE PANELS FOR EASY ACCESS TO TERMINALS



#### CSA Enclosure:

- 1)- Type 3R (NEMA 3R)  
 - Sprinklerproof when the angle between sprinkler heads and opening in the enclosure does not exceed 45 degree from the vertical.
- 2)- Ventilated
- 3)- ASA 61 grey
- 4)- Floor/Wall mounting

| Rev. | Remarks          | By | Appr. By | Date          |
|------|------------------|----|----------|---------------|
| 1    | Height increased | AP | VS       | July 29, 2019 |

Prepared by: AP  
 Approved by: VS  
 Date: APR. 17, 2015