



TRANSFORMER SPECIFICATION

- 3 Phase Drive Isolation
- Dry Type
- ANN Self Cooled
- Suitable for Nonsinusoidal Current Load with a K-Factor not to exceed 4

Drawing for Record

This drawing is a record of our final design for the noted order number.

Purchaser: TBA
 PO#: TBA
 SWO#: TBA
 Qty: TBA

| Windings | For Cable Size | Lugs Terminations |
|------------------------------------|----------------------|-------------------|
| Primary @ Front | #6 AWG up to 300MCM | 300MCM-6 (1/Ph) |
| Secondary @ Front | #14 AWG up to #2 AWG | 2-14 AWG (1/Ph) |
| Ground lug @ the base of enclosure | | 2-14 AWG |

Wiring Connection:

Primary:
 Voltage: 480
 Jumpers To: 1-1-1, 2-2-2, 3-3-3
 Connect Lines To: H1-H2-H3, H1-H2-H3, H1-H2-H3

Secondary:
 Voltage: 504Y/291, 480Y/277, 456Y/263
 % Tap: 105.0, 100.0, 95.0
 Connect Loads To: X0-X1-X2-X3, X0-X4-X5-X6, X0-X7-X8-X9

Note: Secondary is fully rated - only one can be used at a time

Coils: Aluminum
 Cat. No.: DA51X-P/FE
 RPN#: DA51HCB-P/X/FE
 kVA: 51
 Primary: 480/240/208 Delta Volts
 Secondary: 480 Y/277 Volts
 Secondary Taps: 5 %
 -Taps FCAN: 1
 -Taps FCBN: 1
 Frequency: 60 Hz
 BIL: 10 kV
 Insulation Class: 220 °C
 Temperature Rise: 150 °C
 Impedance: 4.0 - 5.0 %
 Weight: 465 Lbs

Standards:

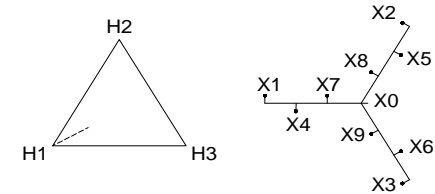
- 1)- CSA Certified File No. LR34493
- 2)- UL Listed File No. E108255

Standard Features:

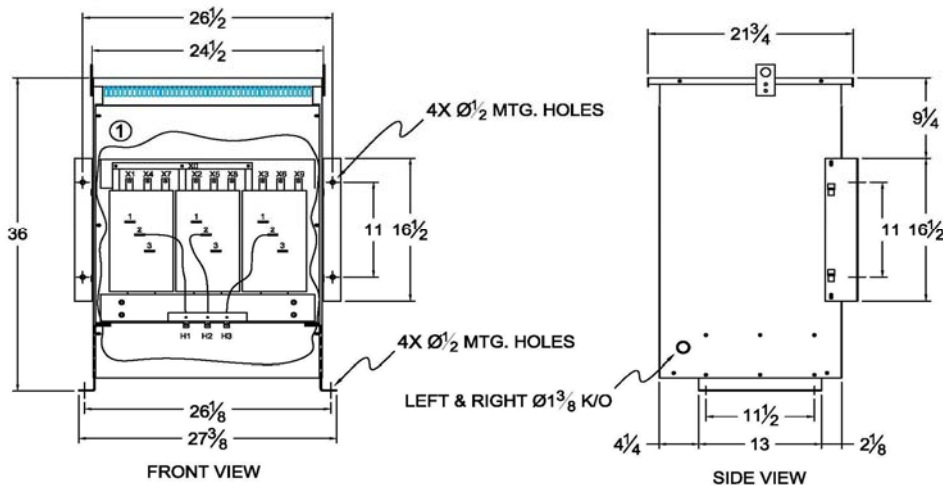
- 1)- Anti-vibration pads installed between the enclosure base and the core & coil assembly
- 2)- Lug for Earth grounding provided
- 3)- Neutral rated 200% of the line terminals
- 4)- N/C 200°C thermostat installed at the centre coil
- 5)- Seismic rated for USA zone 4 and Canada zone 6

Special Features:

± 5% F.C. Secondary taps



① - REMOVABLE PANELS FOR EASY ACCESS TO TERMINALS



CSA Enclosure:

- 1)- Type 3R (NEMA 3R)
 - Sprinklerproof when the angle between sprinkler heads and opening in the enclosure does not exceed 45 degree from the vertical.
- 2)- Ventilated
- 3)- ASA 61 grey
- 4)- Floor/Wall mounting

| Rev. | Remarks | By | Appr. By | Date |
|------|------------------|----|----------|---------------|
| 1 | Height increased | AP | VS | July 29, 2019 |

Prepared by: AP
 Approved by: VS
 Date: APR.17, 2015