



TRANSFORMER SPECIFICATION

- 3 Phase Drive Isolation
- Dry Type
- ANN Self Cooled
- Suitable for Nonsinusoidal Current Load with a K-Factor not to exceed 4

Purchaser: TBA
 PO#: TBA
 SWO#: TBA
 Qty: TBA

Windings	Location	Terminations
Primary	Front	Terminal Blocks
Secondary	Front	Terminal Blocks
Ground lug @ the base of enclosure: 4 ports 2/0-14 AWG		

Wiring Connection:

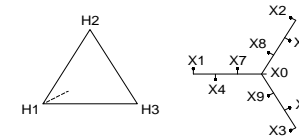
Primary:		
Voltage	Jumpers To:	Connect Lines To:
480	1-1-1	H1-H2-H3
240	2-2-2	H1-H2-H3
208	3-3-3	H1-H2-H3
Secondary:		
Voltage	% Tap	Connect Loads To:
504Y/291	105.0	X0-X1-X2-X3
480Y/277	100.0	X0-X4-X5-X6
456Y/263	95.0	X0-X7-X8-X9

Coils: Copper
 Cat. No.: DC11X-P/FE
 RPN#: DC11HCB-P/X/FE
 kVA: 11
 Primary: 480/240/208 Delta Volts
 Secondary: 480 Y/277 Volts
 Secondary Taps: 5 %
 -Taps FCAN 1
 -Taps FCBN 1
 Frequency: 60 Hz
 BIL: 10 kV
 Insulation Class: 220 °C
 Temperature Rise: 150 °C
 Impedance: 5.0 - 6.5 %
 Weight: 200 Lbs

Drawing for Record
 This drawing is a record of our final design for the noted order number.

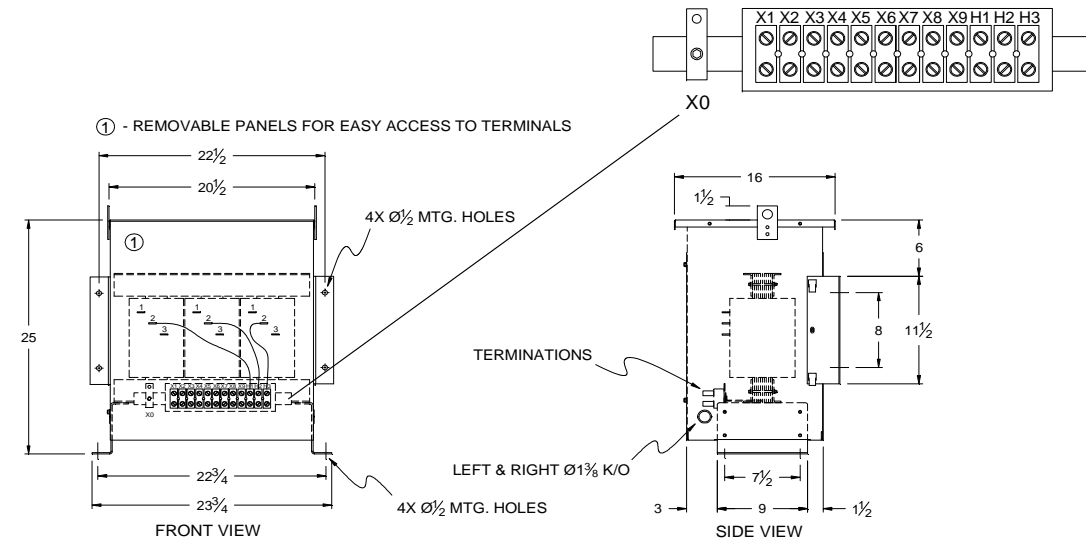
- Standards:**
- 1)- CSA Certified File No. LR34493
 - 2)- UL Listed File No. E108255
- Standard Features:**
- 1)- Anti-vibration pads installed between the enclosure base and the core & coil assembly
 - 2)- Lug for Earth grounding provided
 - 3)- Neutral rated 200% of the line terminals
 - 4)- N/C 200°C thermostat installed at the centre coil
 - 5)- Seismic rated for USA zone 4 and Canada zone 6

Special Features:
 X = ± 5% F.C. Secondary taps



Note: Secondary is fully rated - only one can be used at a time

- CSA Enclosure:**
- 1)- Type 3R (NEMA 3R)
 - Sprinklerproof when the angle between sprinkler heads and opening in the enclosure does not exceed 45 degree from the vertical.
 - 2)- Ventilated
 - 3)- ASA 61 grey
 - 4)- Floor/Wall mounting



Rev.	Remarks	By	Appr. By	Date
1	Terminal Blocks HV & LV	AP	RZ	Feb. 8, 2022

Prepared by: AP
 Approved by: RZ
 Date: OCT.22, 2021